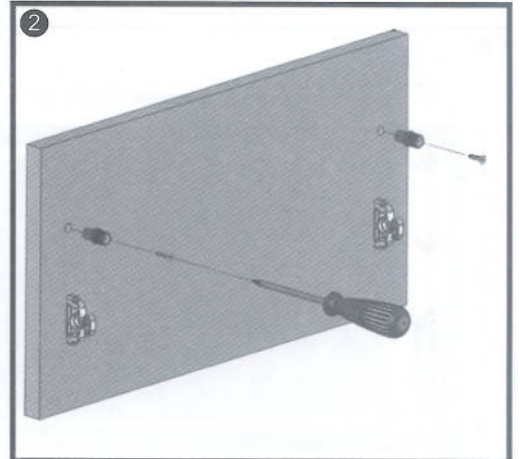
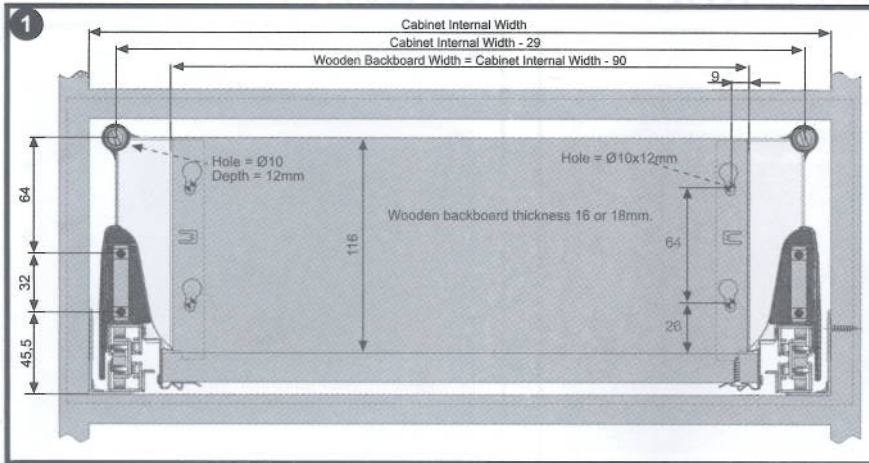
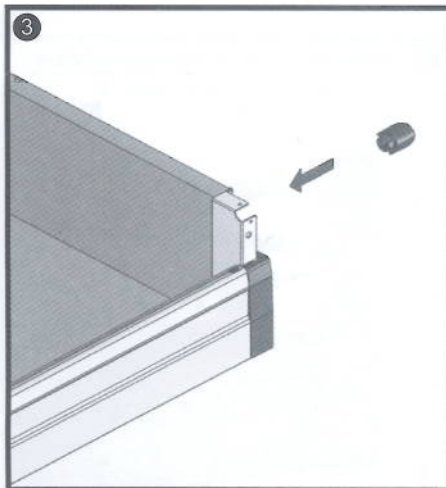


SINGLE GALLERY RAILING MANUAL

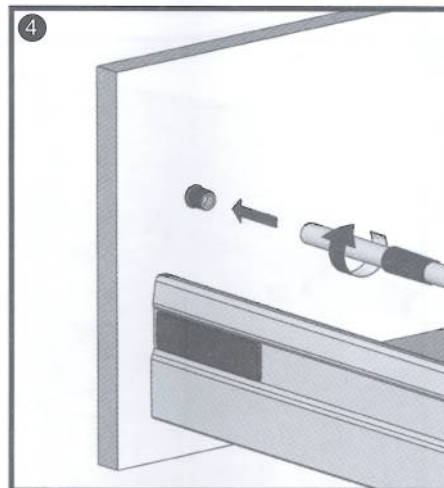


***Mark the dowel holes according to given dimension then drill the holes defined diameter and depth.
*Use 12799906 Samet Front Panel Marking Template for correct and easy marking.**

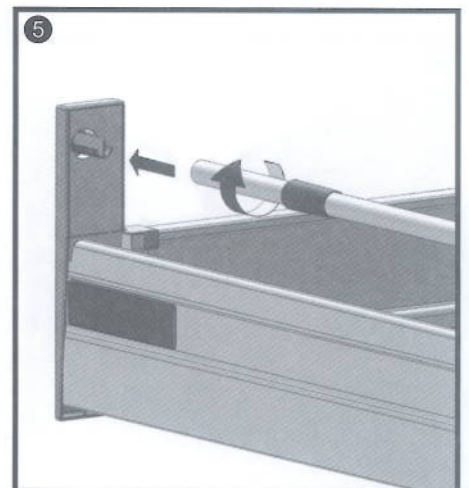
***Drive the dowels to drilled holes and then screw them.**



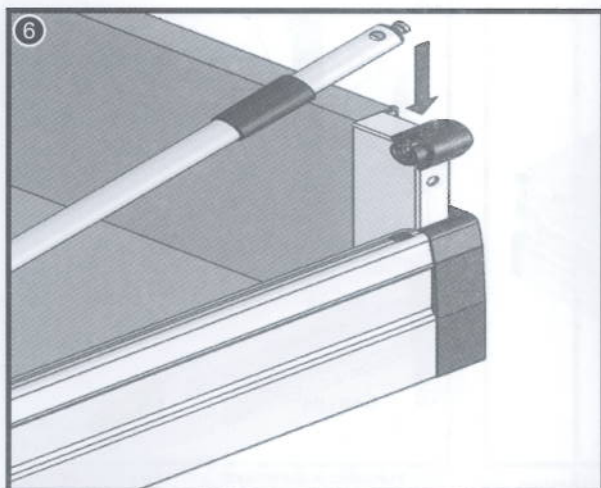
***Push the gallery holder plastic toward backboard holder or backboard sheet as shown direction arrow until pins are completely connected to holes.**



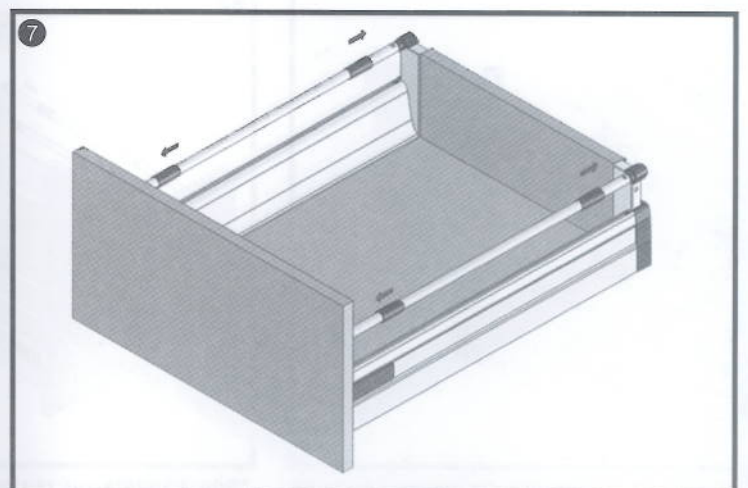
***Mount the gallery railing by turning to shown direction arrow.
*Make sure! The narrow tips of decoration cover on the gallery railing are facing each other.**



***When In - Box is preferred, mount the front panel to drawer instead of the dowels then placed the gallery railing by turning according to direction arrow as shown.**



***Mount the back side of the gallery railing by pressing direction arrow .**



***Push the decoration covers until placed to gallery railing holder as shown in figure.**