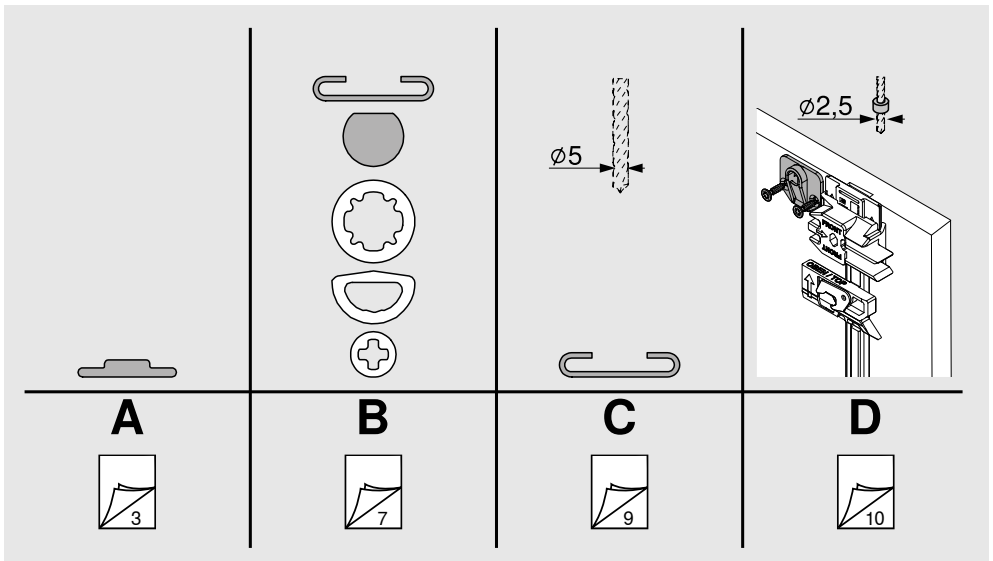
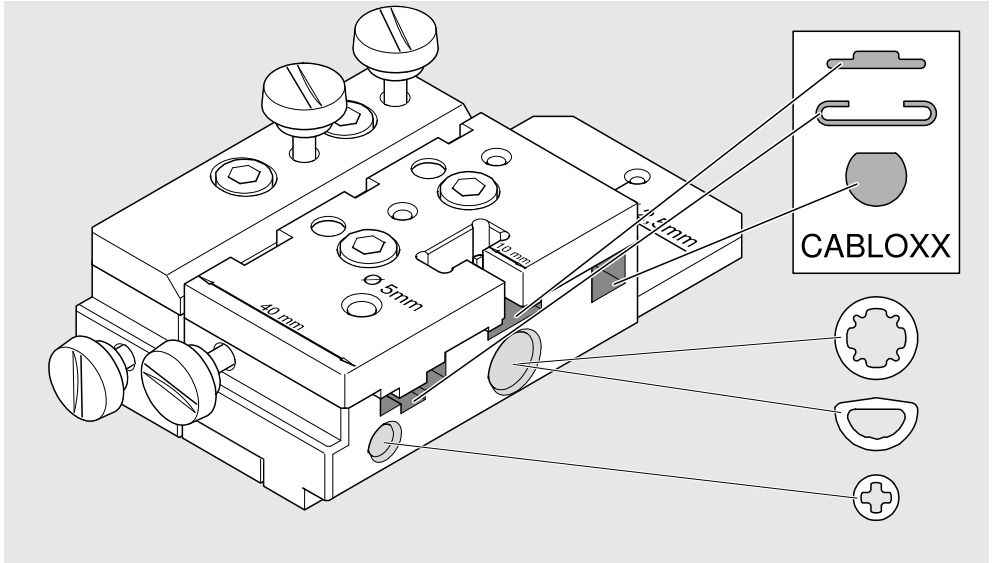
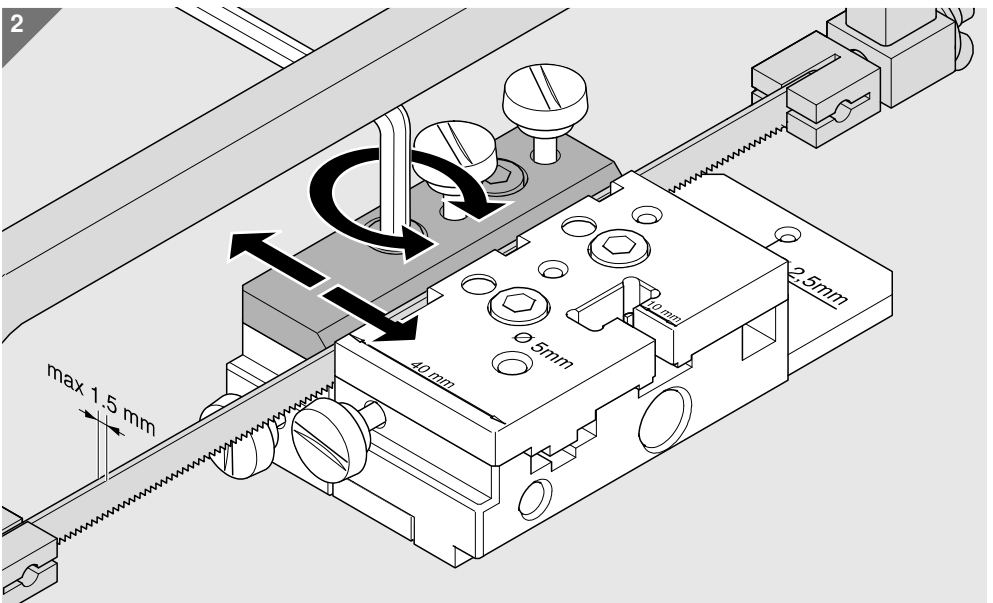
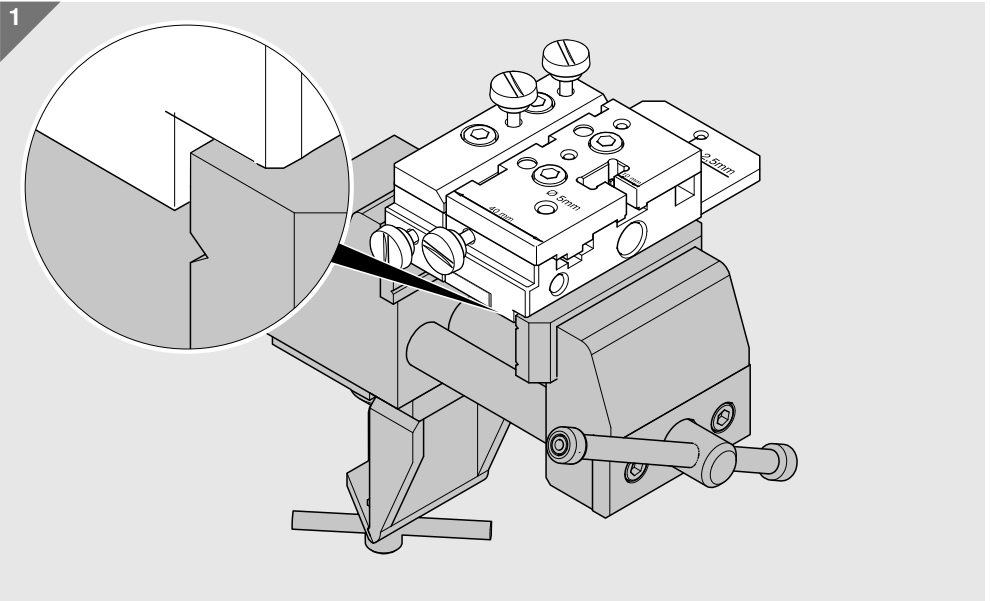


65.0801

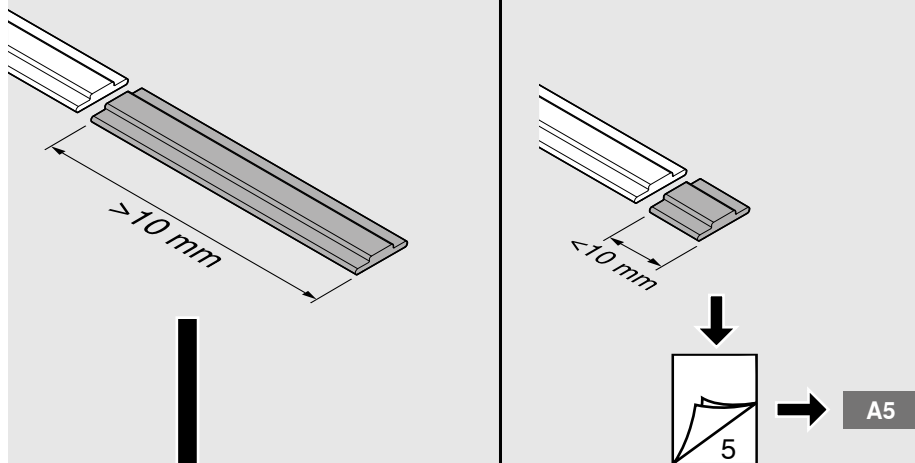
blum[®]

ML

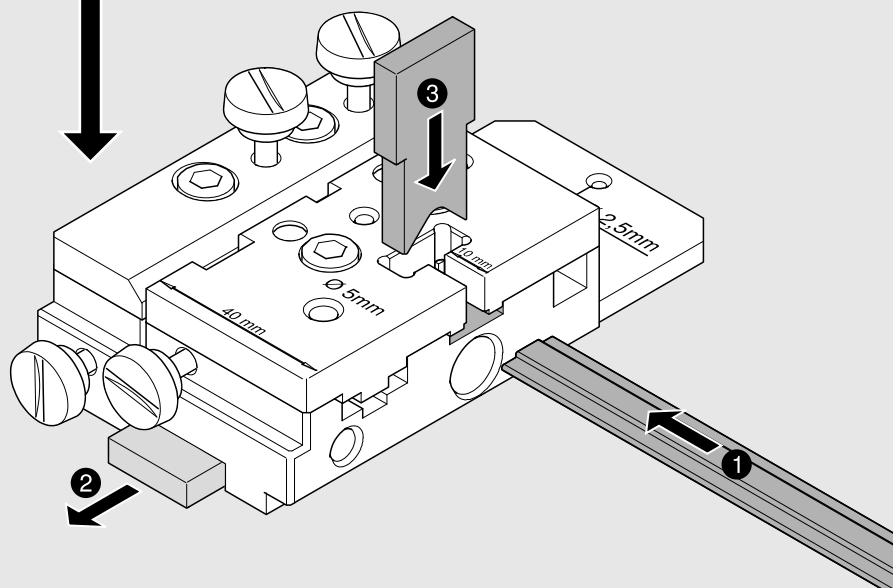


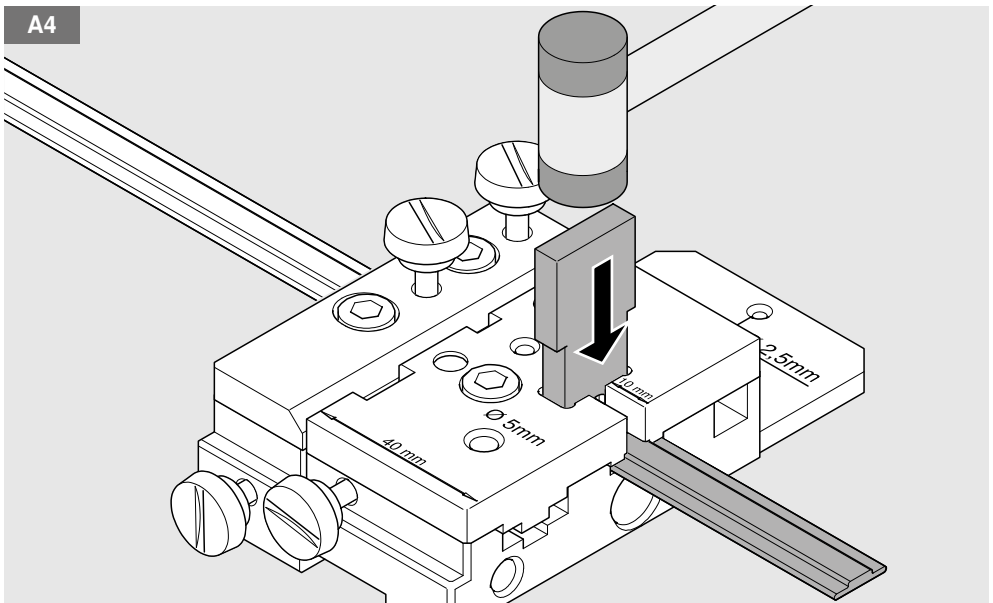
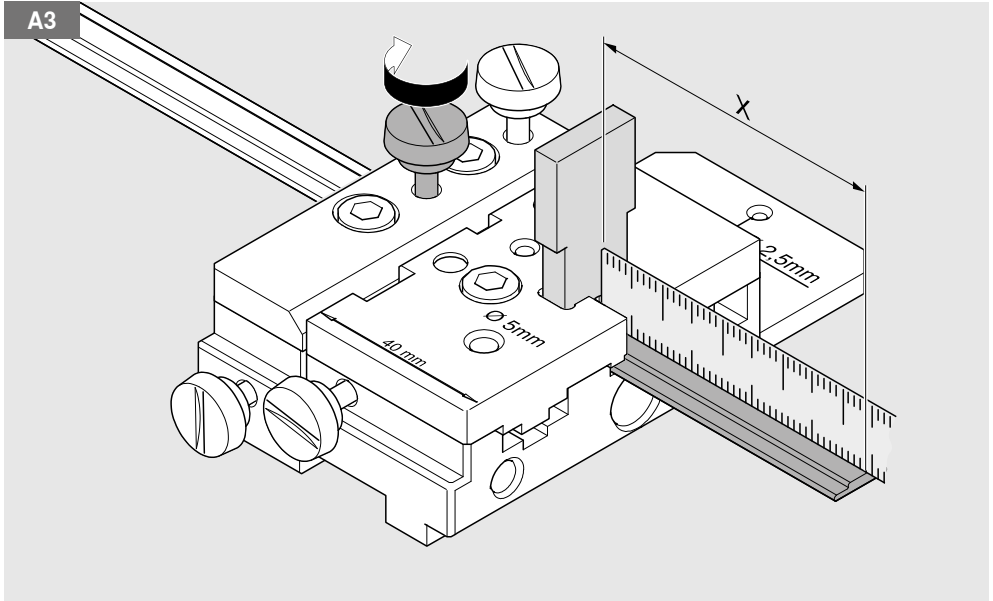


A1

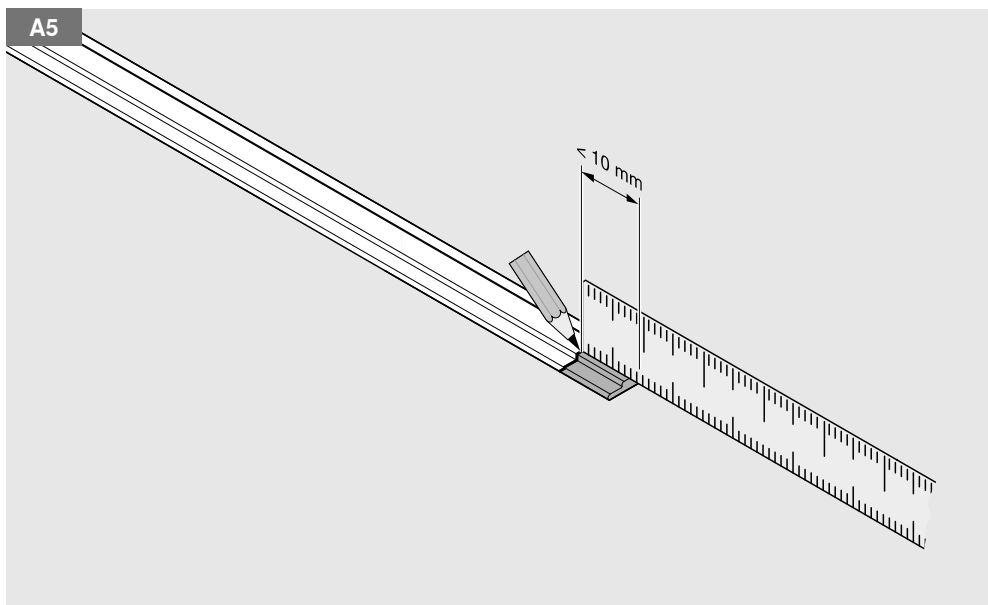


A2

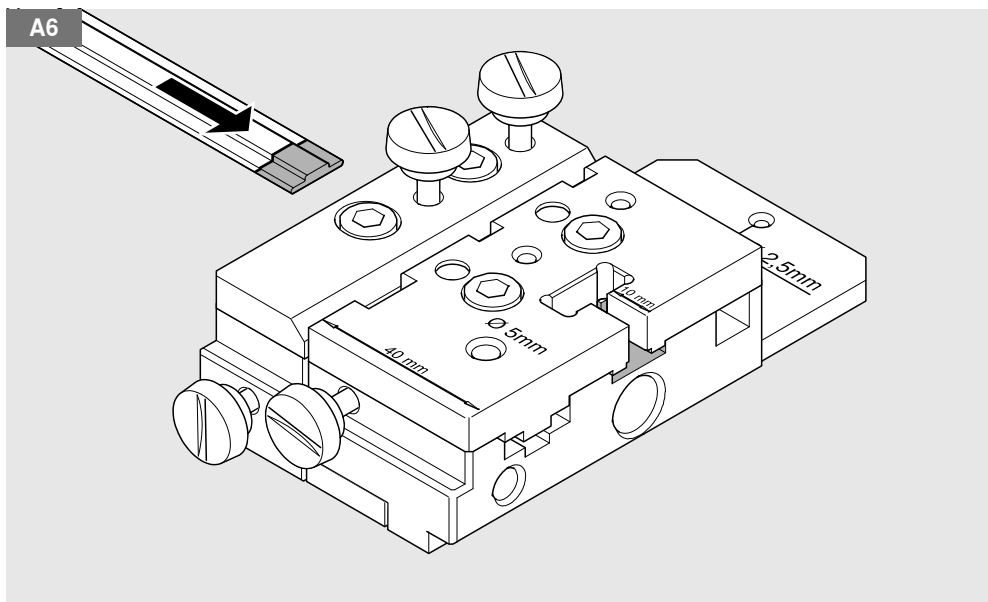


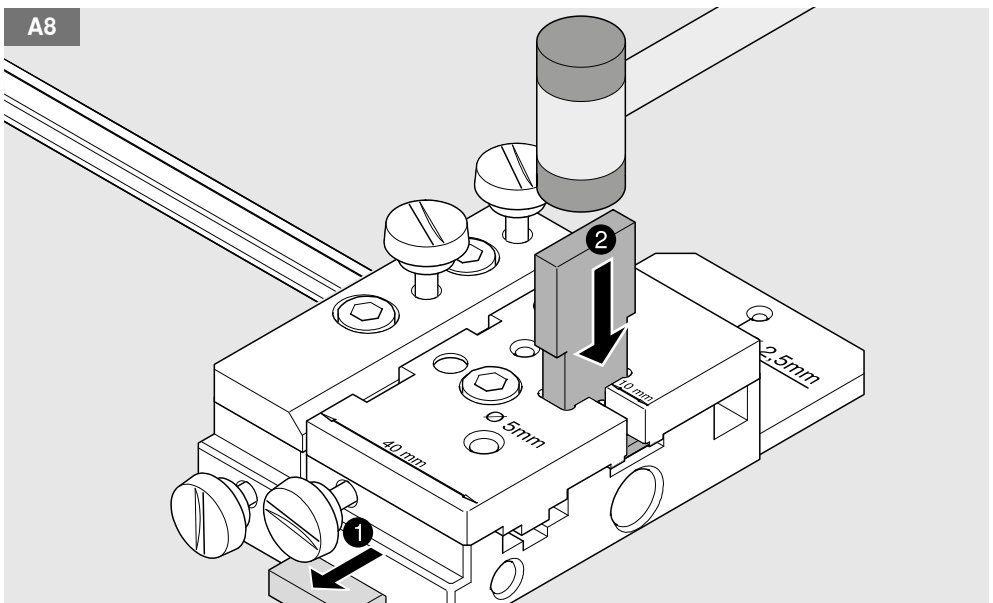
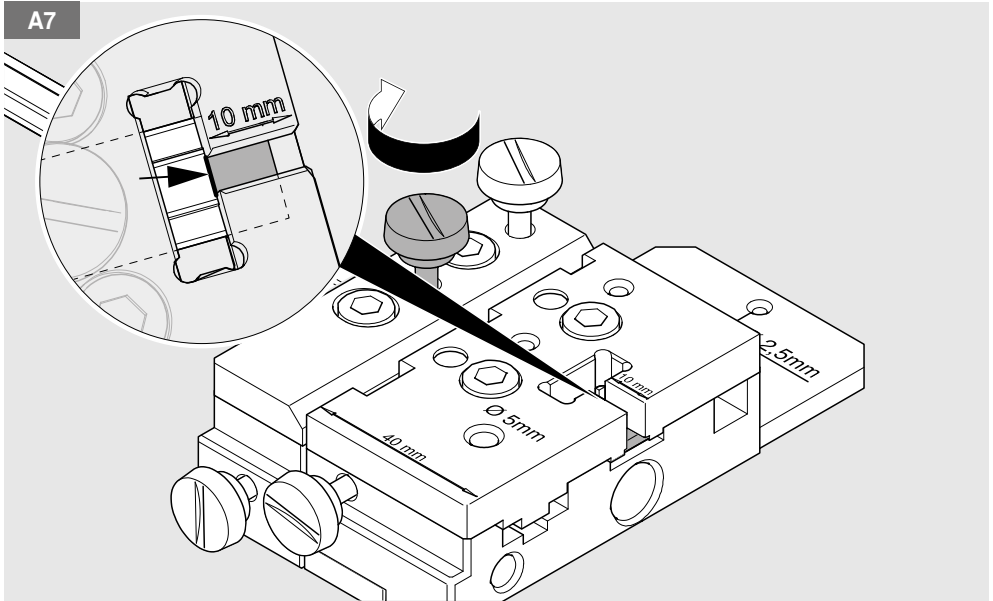


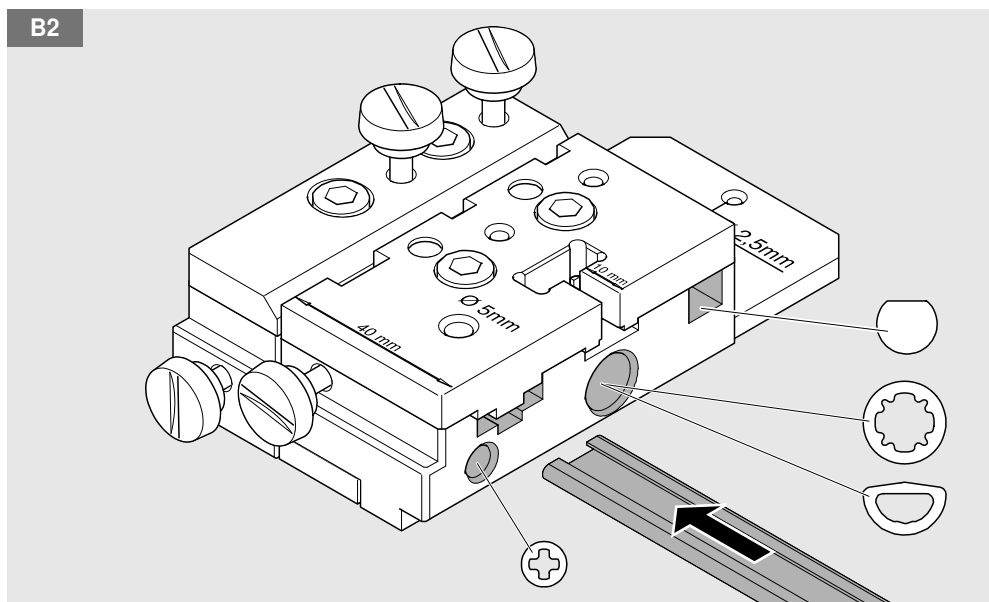
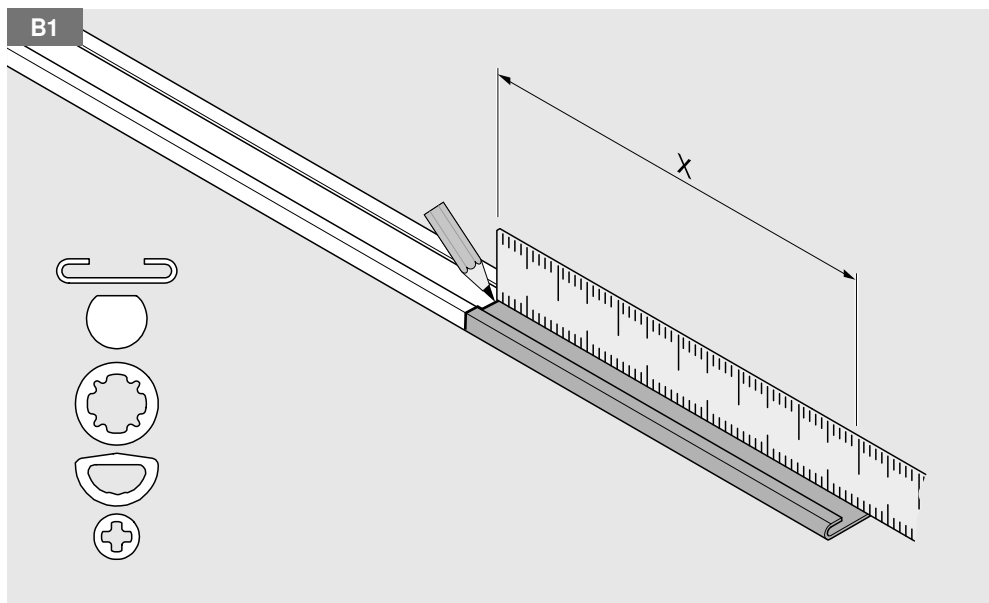
A5



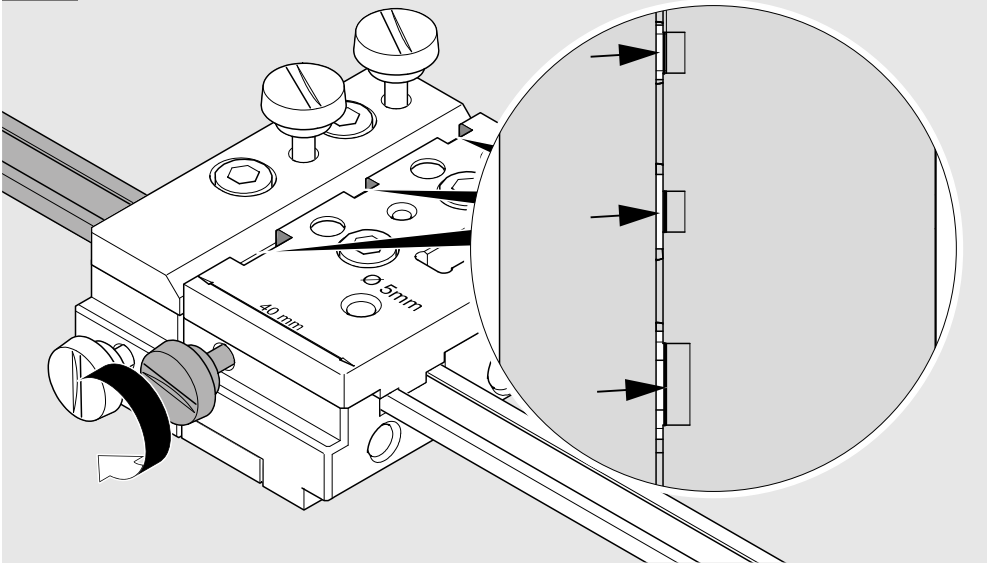
A6



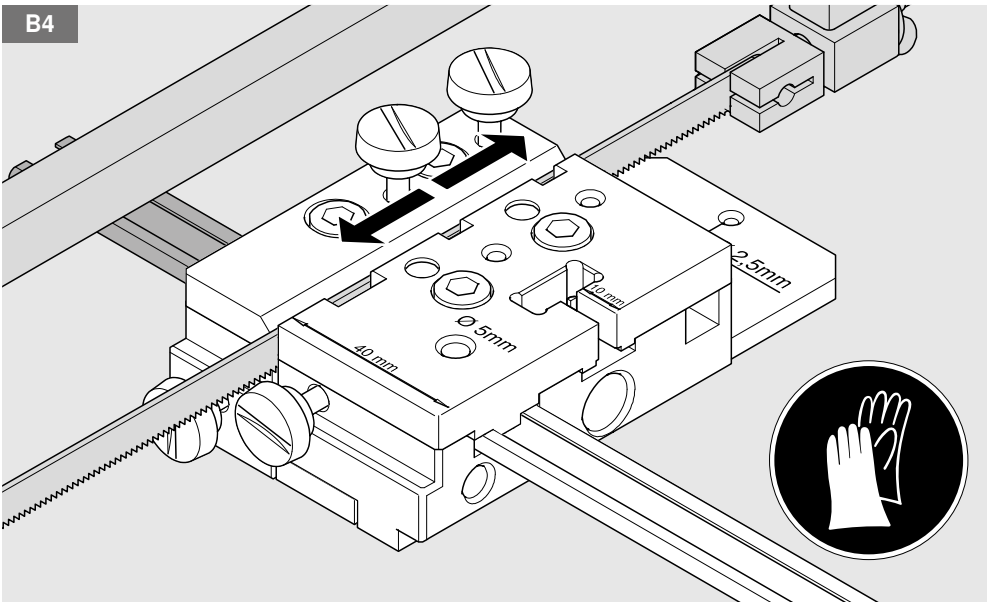




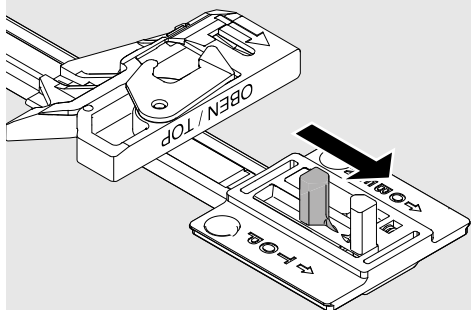
B3



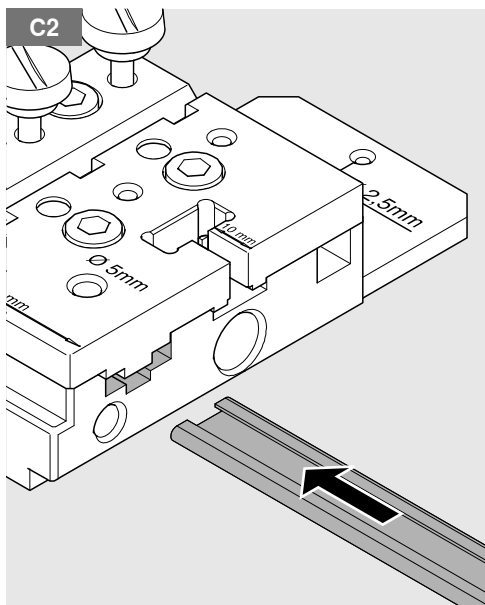
B4



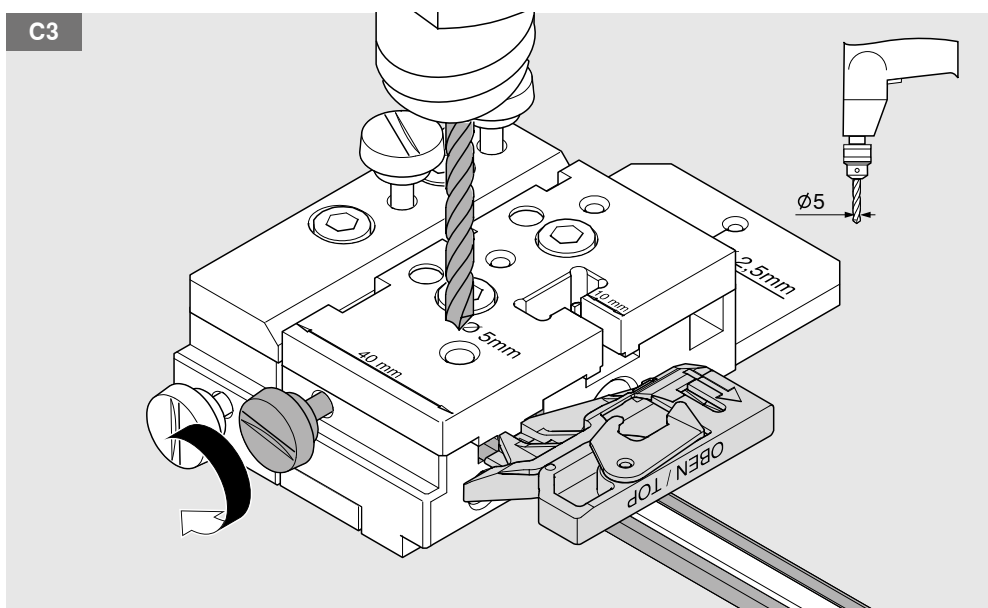
C1



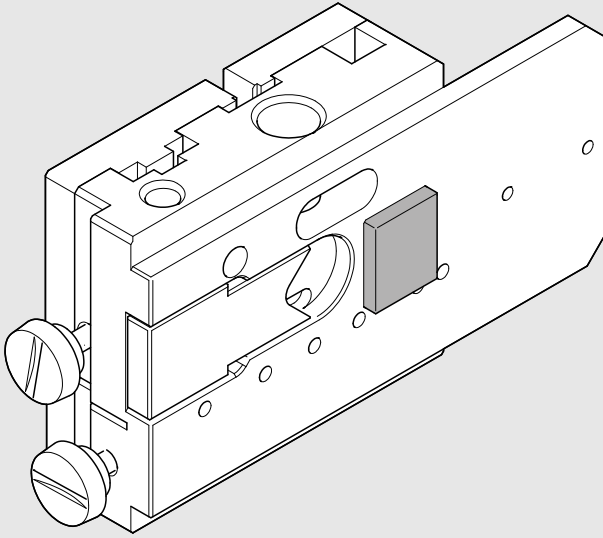
C2



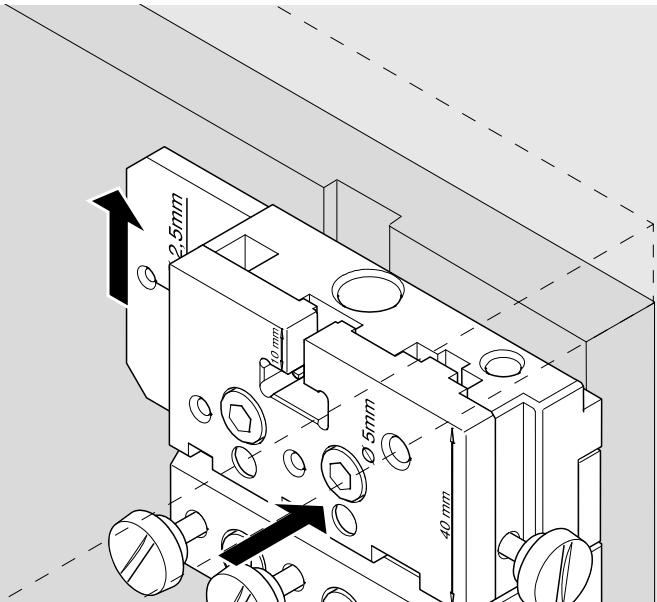
C3



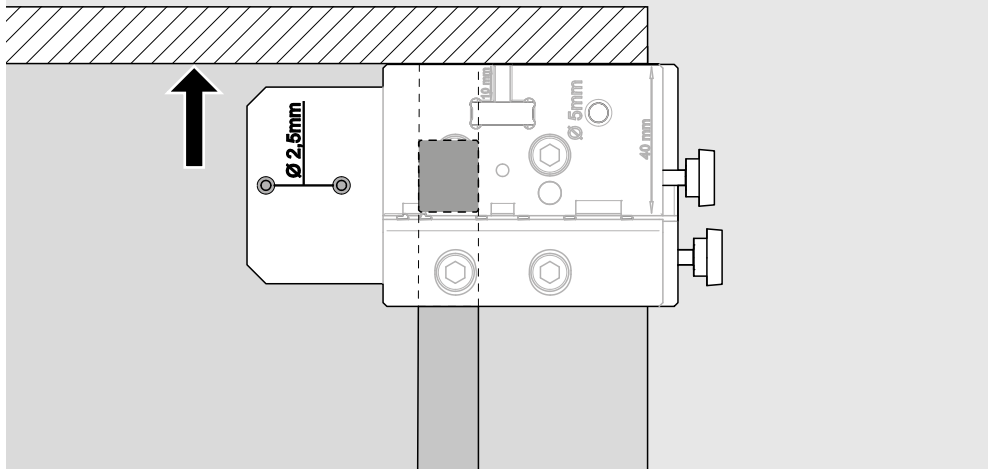
D1



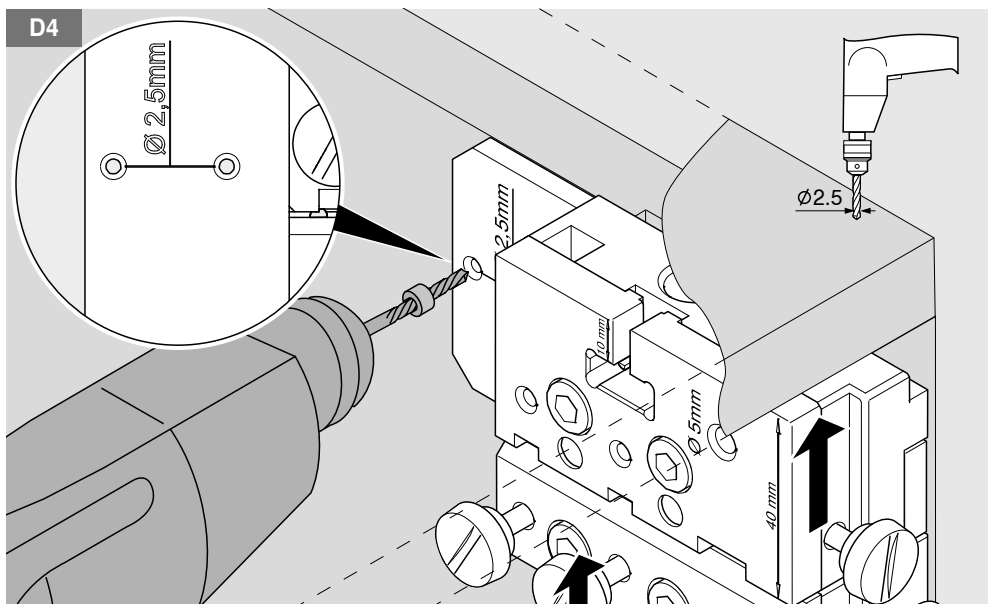
D2

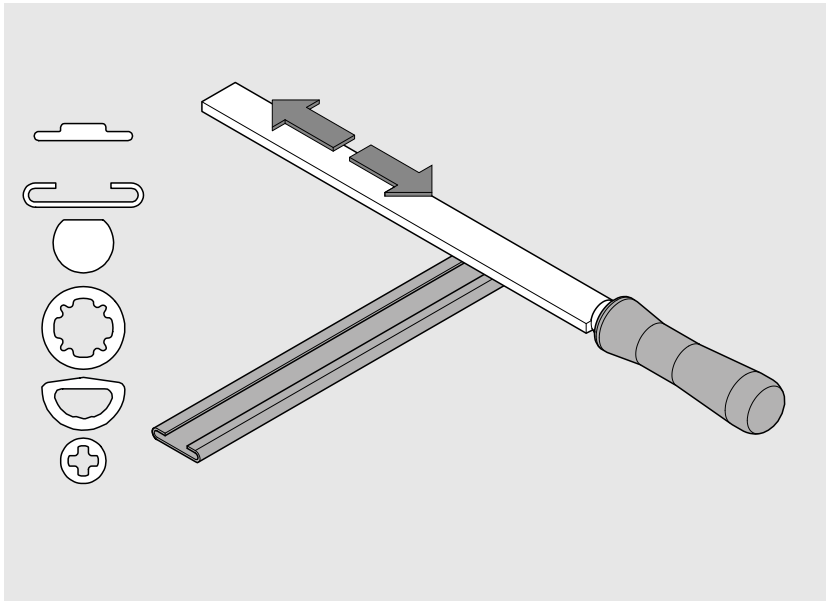


D3



D4





ISO 50001
Certified Energy
System



ISO 14001
Certified Environmental
System



ISO 9001
Certified Quality
System



BAU0061225284 · IDX: 01 · IDNR: 436.460.7 · BA-171/0ML · 01.16 · © Copyright by Blum

Julius Blum GmbH
Beschlagefabrik
6973 Hochst, Austria
Tel.: +43 5578 705-0
Fax: +43 5578 705-44
E-Mail: info@blum.com
www.blum.com

 **blum**[®]